

temperature measurement

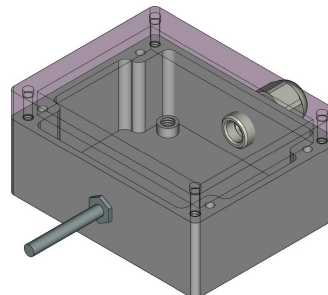
resistance thermometer WTR 191

features

- resistance thermometer as ambient temperature sensor
- with display and analog output
- closed protective fitting, not perforated
- cleaning resistant materials
- wide temperature range parameterizable
- analog output 4...20mA active or passive

technical specifications

- protection fitting stainless steel 1.4571 (V4A)
- length of sensor 45 mm other length on request
- connection box made of plastic polycarbonate
- size of box (LxBxH) 90 x 115 x 55 mm
- type of protection IP 65
- temperature range: -40 °C to +85 °C



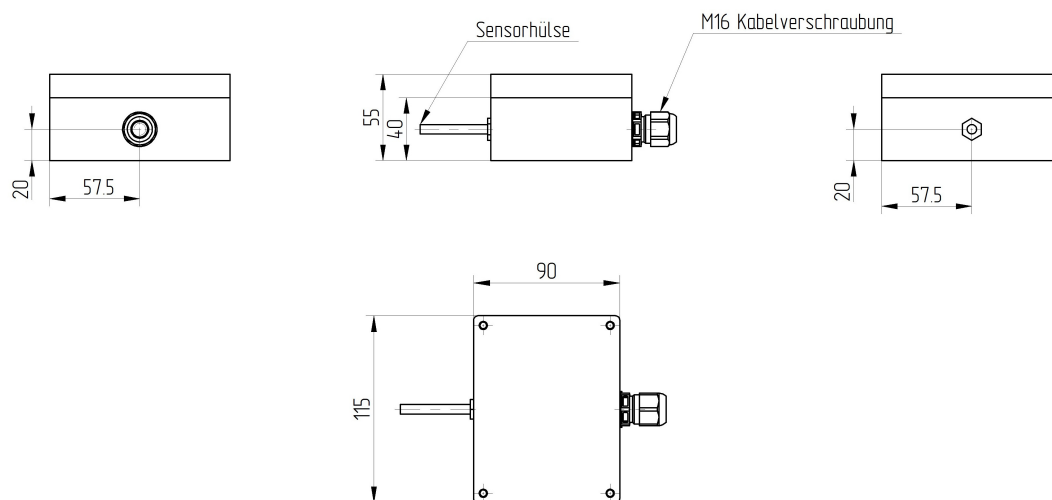
WTR 191-A1W-DMU-0

info: photo shows housing without electronics

product benefits

The WTR 191 is a temperature sensor in a wall-mounted housing. This makes it the right choice for reliable detection of temperatures indoors or outdoors. The robust housing has a transparent lid. This allows the display to be read at any time. The 4...20mA output can be operated actively or passively.

technical drawing



order-code WTR 191...

order example: WTR 191-A1W-DMU-0

design of housing and position of screw connection

-A1W housing with transparent lid, screw fitting at the top, protective fitting (sensor) at the bottom

version electronics

-DMU OLED-display in transparent cover incl. transmitter 4...20mA, adjustable via software

optional

-0 no options