

## level measurement

### level rod probe NST 220

#### features

- level rod probe as 2-rod probe for conductive level measurement
- process connection thread G1"
- different plastic heads and cable connection possibilities available
- rods can be cut

#### technical specifications

- connection head made of plastic (different materials available)
- tangent sensor made of stainless steel 1.4571
- optional food safe coating with PFA P16501 0,2mm
- protection class IP68
- temperature range 0...60°C
- max. operating pressure 3 bar
- optional available with level module NA1 or NA2

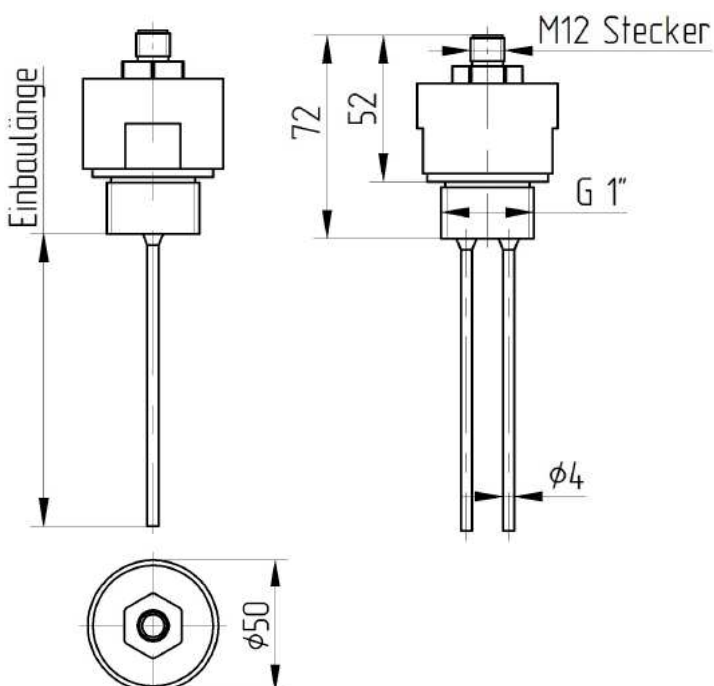
#### application areas

- fill level detection in cases and pipelines
- dry running condition protection
- empty-/full announcement
- simple, low-cost limit detection
- simple level rejection possible
- simple pumping rejection possible

#### product benefits

- cost optimized design
- protection against immersion IP68
- rods can be cut in freely
- with PFA coating resistant to media adhesion
- integrated evaluation electronics possible

#### technical drawing



NST 220-22-1-ST-A200-B200-A

## level measurement

order-code NST 220...

order example: NST 220-22-05PVC-VG-A200-B200

### connection heads and threads

-22 plastic head material POM standard, process connection G1"

### electrical connection

-1 screwing M16  
 -2 connector ISO4400  
 -3 connector M12  
 -00PVC specify length of cable (for example 02 = 2 m) / m, cable material PVC  
 -00PUR specify length of cable (for example 02 = 2 m) / m, cable material PUR  
 -00S specify length of cable (for example 02 = 2 m) / m, cable material silicone

### electrical connection

-ST standard version without grouting  
 -VG fully encapsulated electronics in connection area

### length of 1-rod

-A2 2 mm length of rod  
 -AXX length of rod (XX=length in mm)

### length of 2-rod

-B2 2 mm length of rod  
 -BXX length of rod (XX=length in mm)

### design of rod

-A 4 mm rod without coating  
 -B 4 mm rod with teflon coating

### optional

-NA1 with level evaluate modul Typ NA1  
 -NA2 with level evaluate modul Typ NA2

### accessories

#### fastening material

-99-000816 counter nut made of POM G1"

#### M12-connection wires

-101090 connection cable M12 angled, 4-pole, 5m PVC cable, grey  
 -101087 connection cable M12 straight, 4-pole, 5m PVC cable, grey

**Other lengths available on request.**

**For more accessories, see accessories data sheet.**