

## level measurement

### level rod probe NST 120

#### features

- level rod probe as 1-rod probe for conductive level measurement
- process connection thread G1/2" or G1"
- different plastic heads and cable connection possibilities available
- rods can be cut

#### technical specifications

- connection head made of plastic (different materials available)
- tangent sensor made of stainless steel 1.4571
- optional food safe coating with PFA P16501 0,2mm
- protection class IP69K
- temperature range 0...60°C
- max. operating pressure 3 bar
- optional available with level module NA1 or NA2

#### application areas

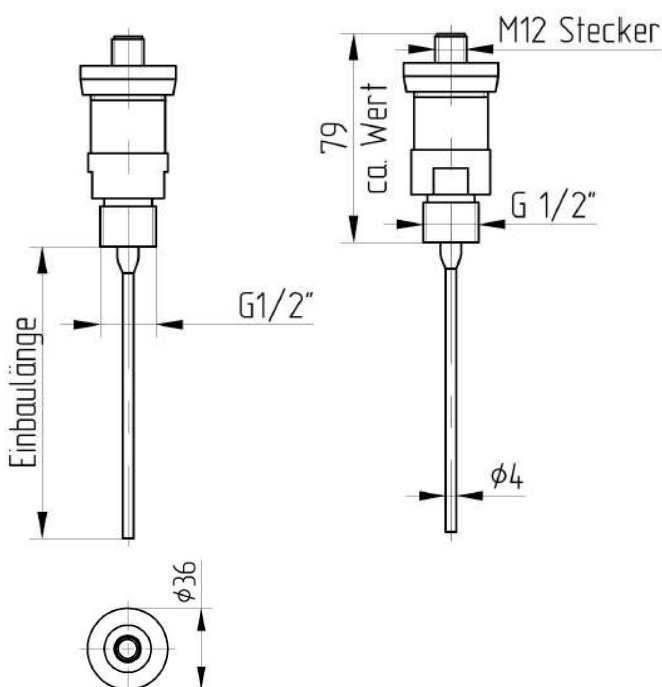
- fill level detection in cases and pipelines
- dry running condition protection
- empty-/full announcement
- simple, low-cost limit detection
- simple level rejection possible
- simple pumping rejection possible

#### product benefits

- cost optimized design
- protection against immersion IP68
- rods can be cut in freely
- with PFA coating resistant to media adhesion
- integrated evaluation electronics possible

#### technical drawing

NST 120-21-3-ST-A100-A

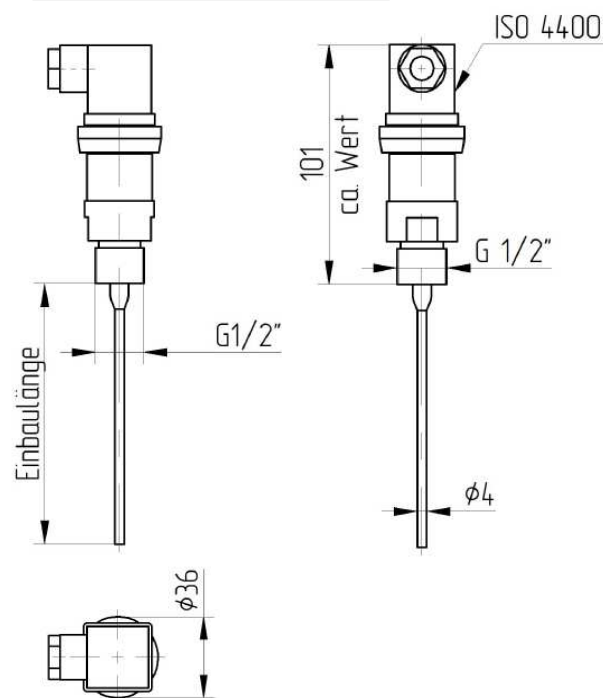


NST 120-21-3-ST-A100-A



NST 120-21-2-ST-A100-A

NST 120-21-2-ST-A100-A



## level measurement

order-code NST 120...

order example: NST 120-21-05PVC-VG-A200

### connection heads and threads

- 21 plastic head material POM standard, process connection G1/2"
- 22 plastic head material POM standard, process connection G1"

### electrical connection

- 1 screwing M16
- 2 connector ISO4400
- 3 connector M12
- 00PVC specify length of cable (for example 02 = 2 m) / m, cable material PVC
- 00PUR specify length of cable (for example 02 = 2 m) / m, cable material PUR
- 00S specify length of cable (for example 02 = 2 m) / m, cable material silicone

### electrical connection

- ST standard version without grouting
- VG fully encapsulated electronics in connection area

### length of rod

- A2 2 mm length of rod
- AXX length of rod (XX=length in mm)

### design of rod

- A 4 mm rod without coating
- B 4 mm rod with teflon coating

### optional

- NA1 with level evaluate modul Typ NA1 (only with head...-22)
- NA2 with level evaluate modul Typ NA2 (only with head...-22)

### accessories

#### fastening material

- 99-002719 counter nut made of POM G1/2"
- 99-000816 counter nut made of POM G1"

#### M12-connection wires

- 101090 connection cable M12 angled, 4-pole, 5m PVC cable, grey
- 101087 connection cable M12 straight, 4-pole, 5m PVC cable, grey

**Other lengths available on request.**

**For more accessories, see accessories data sheet.**