

level measurement

level rod probe NST 050

features

- level rod probe as 1-rod probe for conductive level measurement
- aseptic measuring point by process connection thread M12 for modular welded sleeve connection system
- EHEDG-conform, food safe material
- defined position of screwing
- rods can be cut

technical specifications

- connection head made of stainless steel 1.4305
- food tangent sensor made of stainless steel 1.4571
- optional food safe coating with PFA P16501 0,2mm
- electrical connection with screwing or optional M12-plug
- protection class IP69K
- temperature range 0...150°C
- max. operating pressure 10 bar
- optional available with level module NA1 or NA2

application areas

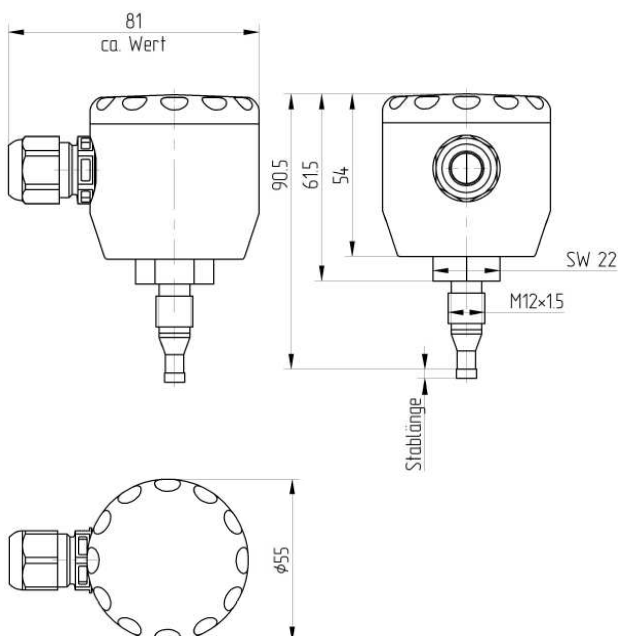
- fill level detection in small pipelines
- dry running condition protection
- empty-/full announcement
- simple, low-cost limit detection
- simple level rejection possible
- simple pumping rejection possible

product benefits

- aseptic sealing system
- food-safe materials (EHEDG-compliant)
- rods can be cut in freely
- with PFA coating resistant to media adhesion
- robust stainless steel head with protection class IP69K
- integrated evaluation electronics possible

technical drawing

NST 050-...-A2-...



NST 050-5-A2-A

level measurement

order-code NST 050...

order example: NST 050-5-A200-B-NA1

connection heads

- 5 stainless steel head standard with screwing
- 6 stainless steel head standard with M12-plug

length of rod

- A2 2 mm length of rod

design of rod

- A 4 mm rod without coating
- B 4 mm rod with teflon coating

optional

- NA1 with level evaluate modul Typ NA1
- NA2 with level evaluate modul Typ NA2

accessories

welding sleeves

- 99-000802 KEM 050, welding sleeve, ball, for M12 x 1.5mm sealing system, diameter 25mm, hygienic process adaptation
- 99-000643 ZEM 051, welding sleeve, cylinder, for M12 x 1.5mm sealing system, with weld collar, diameter 19mm, hygienic process adaptation

M12-connection wires

- 101090 connection cable M12 angled, 4-pole, 5m PVC cable, grey
- 101087 connection cable M12 straight, 4-pole, 5m PVC cable, grey

Other lengths available on request.

For more accessories, see accessories data sheet.