

temperature measurement

resistance thermometer WTR 580

features

temperature sensor

- resistance thermometer as cable sensor
- sensor diameter, sensor length and cable length selectable
- straight thermowell without process connection
- adaptable with compression fittings and thermowells

transmitter and display head

- plastic housing with display free programmable in rotatable head
- input PT100 and thermocouple
- 4 ... 20mA output and 2 switching outputs PNP
- display can be mirror
- comprehensive setting
- already preset upon request



WTR 580-50-6-A-6-02S-1A3-VES-HW

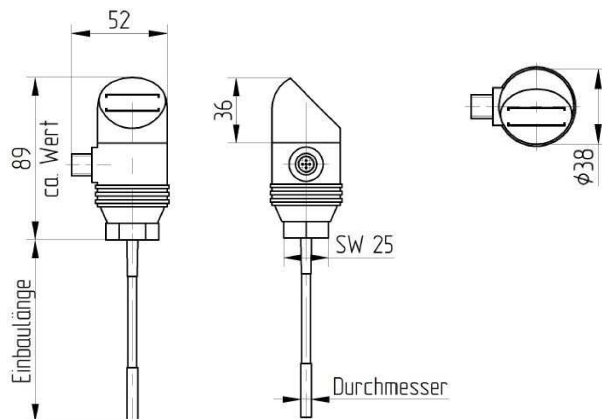
technical specifications temperature sensor

- protective fitting made of stainless steel 1.4571 (V4A)
- connection cable PVC, PUR, silicone, teflon or GGVA
- temperature range: the medium -50 ° C to +400 ° C (depending on cable material, extended ranges on request)
- PT100 class A

technical specifications transmitter and display head FG200T

input	PT100 or thermocouple (programmable)
display range	-9999...+9999
digit height	8,5mm
display	red 7-segment LED display 4 digits rotatable about 330 °, display mirror-imaged
damping	0,0...999,9s adjustable
resolution	16 Bit
accuracy	+/-0,2% of measuring range +/- 1 digit
setting	wide range of options such as display scale, display area, decimal point, units, TAG number, etc.
switching outputs	2 PNP, maximum load for each 200mA galvanically isolated from the measuring amplifier
display switching point	per 1 x red LED
setting	separated switching point and hysteresis adjustable with 3 buttons on the unit
power supply	12...40VDC, HART-current loop
temperature range	working range -40...+85°C storage -40°C...100°C
electrical connection	M12-connector 5-pole
material	housing body PTB GF30 display shell: polycarbonate
weight	approx 70g without probe
mounting position	any
protection	min. IP65, depending on the connection cable also higher

technical drawing



temperature measurement

order-code WTR 580...

order-example: WTR 580-50-6-A-02S-1A3-VES-HW

connection head

-50 transmitter and display head, free programmable type FG200T

sensor diameter

-4 sensor diameter 4 mm
 -5 sensor diameter 5 mm
 -6 sensor diameter 6 mm
 -8 sensor diameter 8mm (length only 50mm possible)
 -9 sensor diameter 9 mm

sensor length

-X sensor length 20 mm
 -Y sensor length 30 mm
 -A sensor length 50 mm
 -B sensor length 100 mm
 -C sensor length 150 mm
 -D sensor length 200 mm
 -K sensor length on customer requirements (please specify length)

cable length and material

-00PVC specify cable length (e. g. 02 = 2 m) / m, cable material PVC
 -00PUR specify cable length (e. g. 02 = 2 m) / m, cable material PUR
 -00S specify cable length (e. g. 02 = 2 m) / m, cable material silicone
 -00T specify cable length (e. g. 02 = 2 m) / m, cable material teflon
 -00GGVA specify cable length (e. g. 02 = 2 m) / m, cable material fibre glass with VA-jacket

sensor type and tolerance

-1A3 1xPT100 3-wire class A
 -2A3 2xPT100 3-wire class A
 -KX sensor types or tolerances on customer request

connecting sensor to transmitter/display head

-VES cable gland, sensor securely connected
 -M12 M12 plug
 -KK connection on customer requirements

optional (multiple responses possible)

- HT high temperature version up to + 400 ° C
 (Attention, only cable material GGVA use)
 - HW bracket for wall mounting of the head

accessories

clamp screw fittings

-99-000197 KVS6E-1/2" clamp screw fitting
 -99-000199 KVS6T-1/2" clamp screw fitting with screw-in thread, for 6mm sensor, clamping ring made of Teflon, material 1.4571
 -99-000512 KVS6E-1/4" clamp screw fitting
 -99-000198 KVS6T-1/4" clamp screw fitting
 -99-000196 KKVS6P bullet clamp bolting, for 6mm tube, PEEK sealing ring, material 1.4404

immersion pockets

-99-000456 THVA, 100mm in G1/2", dimension 9x1, diameter immersion pocket 9mm, inner diameter 7mm, material VA, with M4 screw in the hexagon
 -99-001938 THVA-KVS 100mm, in G1/2", sleeve dimension 9x1mm, inner diameter 7mm, with clamp screw fitting for 6mm probe, with PTFE clamping ring
 -99-002871 ESTHK, 50mm, welding immersion pocket, diameter pocket 9x1mm, with clamp screw fitting PEEK, material 1.4404

M12-connection wires

-113218 connection cable M12 angled, 5-pole, 5m PUR cable, black
 -110602 connection cable M12 straight, 5-pole, 5m PUR cable, black

Other lengths available on request.

For more accessories, see accessories data sheet.

version 2.1.1 page 2