

temperature measurement

resistance thermometer WTR 420

features

- resistance thermometer without neck tube
- short reaction time without reduced measuring point
- temperature resistance PT100 directly constructed in protective fitting
- electrical connection with M12-plug or ISO 4400 (connection see accessories)
- optional with programmable measuring transducer (same program kit like at KMU100), output 4-20mA 2-wire
- specials on request

technical specifications

- protective fitting made of stainless steel V4A 1.4404 (316L) resp. V4A 1.4571
- diameter 6 x 1 mm, other diameters on request
- process connection thread G 1/2" A
- temperature ranges: -50 °C to +150 °C (extended ranges on request)
- power supply at option measuring transducer 10...35VDC

product benefits

- For recording temperatures with optimum use of space in liquid and vapor mediums



WTR 420-9-A-1A-PMU



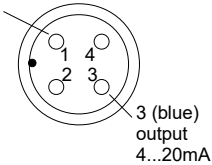
WTR 420-9-A-1A



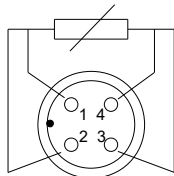
WTR 420-10-...

pin assignment

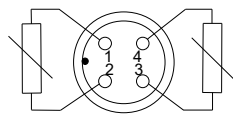
1 (brown)
+ voltage
10...35VDC



M12 plug with PMU

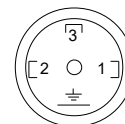


M12 plug
PT100 and PT 1000



M12 plug
2x PT100 or 2x PT1000

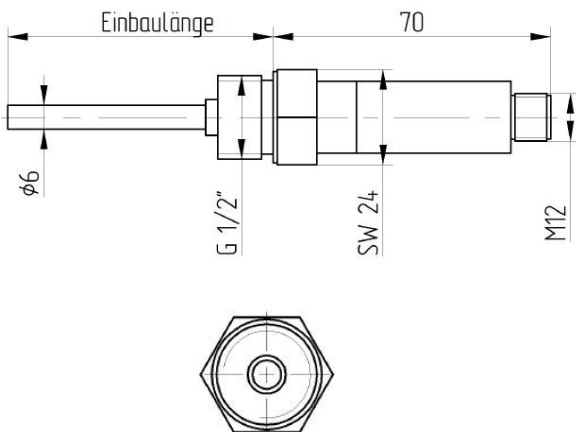
1 (brown)
2 (white)
3 (blue)
4 (black)



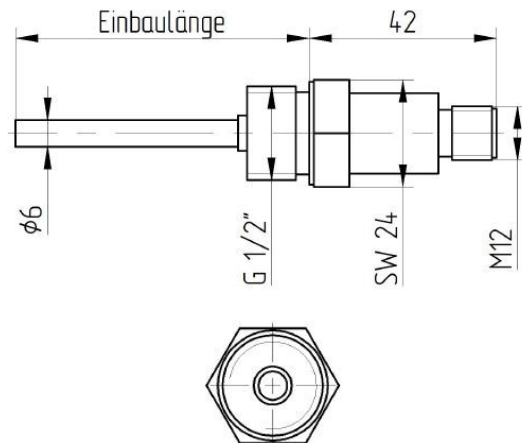
ISO 4400 plug
PT100 and PT1000

technical drawing

WTR 420 mit PMU



WTR 420



temperature measurement

order-code WTR 420...

order example: WTR 420-9-A-1A-PMU (0-100 °C)

kind of connection

-9 compact construction, directly with M12-plug, protection class IP69K
-10 compact construction, ISO 4400 plug, protection class IP65

mounting length

-A 50 mm mounting length
-B 100 mm mounting length
-C 150 mm mounting length
-D 200 mm mounting length
-E 250 mm mounting length
-F 300 mm mounting length
-K mounting length on customer's wish (please specify length)

type of sensor and tolerance

-1A 1xPT100 class A
-1A/PT1000 1xPT1000 class A
-KX other types of sensor and tolerance on customer's request

tapered measuring point

-V0 (without description) without taper
-V3 tapered to 3 mm
-V4 tapered to 4 mm

optional

-PMU with programmable measuring transducer (temperature ranges on request on preadjustment please specify)
-SPMU with programmable measuring transducer, pin configuration on customer's request

accessories

welding sleeves

-99-000421 GEM 150, stainless steel weld-in sleeve, G1/2" inner thread, outer diameter 26mm, length sleeve 33mm

M12-connection wires

-101090 connection cable M12 angled, 4-pole, 5m PVC cable, grey
-101087 connection cable M12 straight, 4-pole, 5m PVC cable, grey