

temperature measurement

resistance thermometer WTR 390

features

- resistance thermometer for temperature measurement in flush version
- adaptable with sleeve socket- and process connection thread (see accessories)
- connection head made of V4A
- protective fitting fixed with connection head
- temperature resistance PT100 directly constructed in protective fitting
- electrical connection on board (clamps)
or programmable measuring transducer
- specials on request

technical specifications

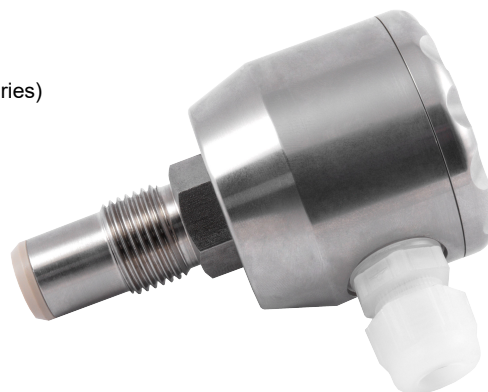
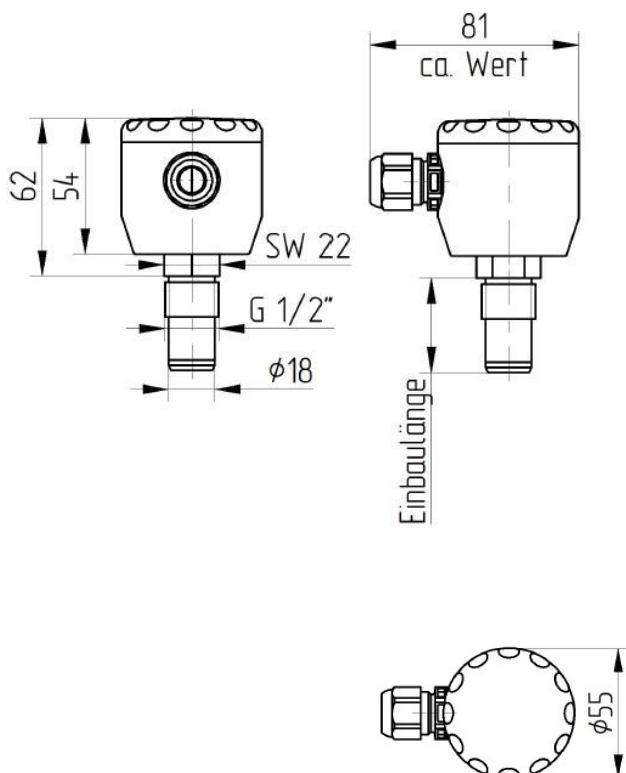
- protective fitting made of stainless steel 1.4404 respectively PEEK
- process connection thread G 1/2" A
- temperature ranges: -50 °C to +200 °C
(extended ranges on request)
- short reaction time
- tightening torque max. 10-15 Nm

product benefits

The WTR 390 is a temperature sensor for the food industry. The sensor has a metallic sealing cone below the connection thread. Due to the modular process connection system it can be installed in aseptic welding sleeves as well as with different standardized process connections. It is flush with the process. This makes it the ideal sensor for measuring in contact with the medium in the process, but where the sensor must not enter the process (use of agitators or similar). High-quality materials give this sensor a very long service life.

technical drawing

stainless steel head



WTR 390-5-Z-1A

temperature measurement

order-code WTR 390...

order example: WTR 390-5-Z-1A-KMU (0-100 °C)

connection heads

-5	stainless steel head standard with screw cap, with screwing, protection class IP69K
-6	stainless steel head standard with screw cap, with M12-plug, protection class IP69K
-15	stainless steel head extended design with screw cap, with screwing, protection class IP69K
-16	stainless steel head extended design, with M12-plug, protection class IP69K

mounting type

-Z	flush version
----	---------------

type of sensor and tolerance

-1A	1xPT100 class A
-2A	2xPT100 class A
-1C	1xPT100 1/3 DIN
-2C	2xPT100 1/3 DIN
-KX	type of sensor and tolerance on customer's request

optional

-KMU	with programmable measuring transducer (temperature range on request on preadjustment please specify)
-2KMU	with 2 programmable measuring transducer (head with extended design necessary, please specify the temperature range)

accessories

welding sleeves

-99-000191	KEM 150, welding sleeve, bullet, for G1/2" sealing system, diameter 35mm, hygienic process adaption
-99-000193	ZEM 150, welding sleeve, cylinder, for G1/2" sealing system, diameter 30mm, hygienic process adaptation

M12-connection wires

-101090	connection cable M12 angled, 4-pole, 5m PVC cable, grey
-101087	connection cable M12 straight, 4-pole, 5m PVC cable, grey