

temperature measurement

resistance thermometer WTR 360

features

- modular resistance thermometer for food industry
- adaptable with welding sleeves M12 (see accessories)
- connection head made of stainless steel
- available with tapered measuring point
- protective fitting pressed closed to connection head
- temperature resistance PT100 directly constructed in protective fitting
- electrical connection on board (clamps) or programmable measuring transducer
- specials on request



WTR 360-5-B-1A-VO

technical specifications

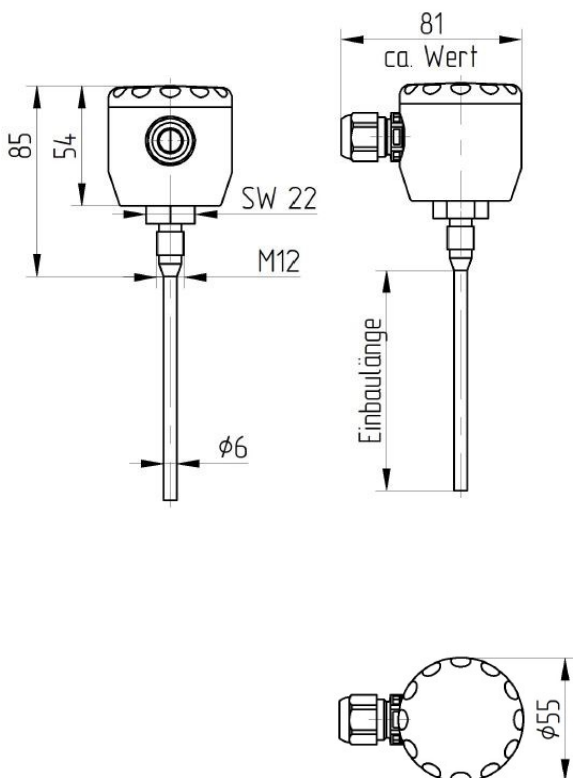
- protective fitting made of stainless steel V4A 1.4571
- diameter 6 mm
- connection thread for sleeve socket and process connection threads M12"
- temperature ranges: -50 °C to +200 °C (extended ranges on customer's request)

product benefits

The WTR 360 is a temperature sensor for the food industry. The sensor has a metallic sealing cone below the connection thread, which is aseptically adapted with our welding sleeves (ZEM 050 or KEM 050). Due to the M12 socket system it is especially suitable for pipelines with small diameters. The sensor uses only high-quality materials and is therefore characterized by its high durability.

technical drawing

stainless steel head



temperature measurement

order-code WTR 360...

order example: WTR 360-5-A-1A-V4-KMU (0-100 °C)

connection heads

- 5 stainless steel head standard with screw cap, with screwing, protection class IP69K
- 6 stainless steel head standard with screw cap, with M12-plug, protection class IP69K

mounting length

- Y 20 mm mounting length
- A 50 mm mounting length
- B 100 mm mounting length
- C 150 mm mounting length
- D 200 mm mounting length
- E 250 mm mounting length
- F 300 mm mounting length
- G 350 mm mounting length
- H 400 mm mounting length
- K mounting length on customer's request (please specify length)

type of sensor and tolerance

- 1A 1xPT100 class A
- 2A 2xPT100 class A
- 1C 1xPT100 1/3 DIN
- 2C 2xPT100 1/3 DIN
- KX types of sensor and tolerance on customer's request

tapered measuring point

- VO without taper
- V3 tapered to 3 mm
- V4 tapered to 4 mm

optional

- KMU with programmable measuring transducer (temperature range on request on preadjustment please specify)

accessories

welding sleeves

- 99-000191 KEM 150, welding sleeve, bullet, for G1/2" sealing system, diameter 35m, hygienic process adaption
- 99-000193 ZEM 150, welding sleeve, cylinder, for G1/2" sealing system, diameter 30mm, hygienic process adaptation

M12-connection wires

- 101090 connection cable M12 angled, 4-pole, 5m PVC cable, grey
- 101087 connection cable M12 straight, 4-pole, 5m PVC cable, grey