

temperature measurement

resistance thermometer WTR 190 top-hat rail

features

- resistance thermometer for top hat rail mounting
- for measuring the internal temperature of the switching cabinet
- closed protective fitting, not perforated
- wide temperature range
- optionally with measuring transducer

technical specifications

- protective fitting made of stainless steel 1.4571 (V4A)
- probe length 45 mm other lengths on request
- connection housing made of PC-GF plastic, color light gray RAL 7035
- dimensions (LxWxH) 75 x 22,5 x 97mm
- protection class housing IP30, terminals IP10
- standard temperature range: -50°C to +90°C
- with head measuring transducer: -40 °C to +85 °C



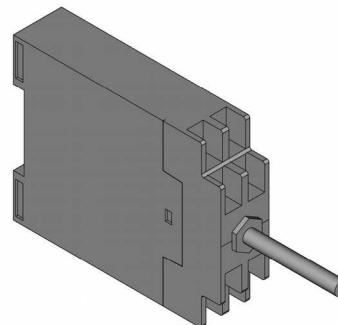
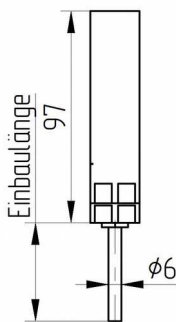
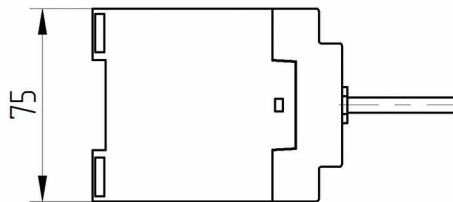
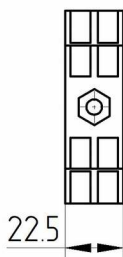
product benefits

The WTR 190 top-hat rail is a temperature sensor in a snap-on housing for the control cabinet construction. This makes it the right choice for reliably recording temperatures in switchgear, subdistribution boards, etc. reliably. Thanks to the slim design, the WTR 190 top-hat rail can be mounted on the mounting plate and measures the temperature at the right place in your switchgear.



technical drawing

WTR 190-top-hat rail-1A3



temperature measurement

order-code WTR 190...

order example: WTR 190-top-hat rail-1A3

version

-top-hat rail for mounting on top hat rail according to DIN EN 60715

sensor type and tolerance

| | |
|-------------|--|
| -1A2 | 1xPT100 2-wire class A |
| -1A3 | 1xPT100 3-wire class A |
| -1A4 | 1xPT100 4-wire class A |
| -2A2 | 2xPT100 2-wire class A |
| -2A3 | 2xPT100 3-wire class A |
| -1A2/PT1000 | 1xPT1000 2-wire |
| -NI1000 | 1xNI1000 sensor TK6180 |
| -KTY81-110 | 1xKTY81-110 sensor |
| -KTY81-210 | 1xKTY81-210 sensor |
| -KX | sensor types or tolerances on customer request |

optional

-KMU with head transducer KMU100