

level measurement

level rod probe NST 450

features

- level rod probe as 4-rod probe for conductive level measurement
- aseptic measuring point by process connecting thread G1/2" for modular welded sleeve- and process connection system
- EHEDG-conform, food safe material
- definated position of screwing
- rods can be cut

technical specifications

- connection head made of stainless steel 1.4305
- food tangent sensor made of stainless steel 1.4571
- optional food safe coating with PFA P16501 0,2mm
- electrical connection with screwing or optional M12-plug
- protection class IP69K
- temperature ranges 0...150°C
- max. operating pressure 10 bar

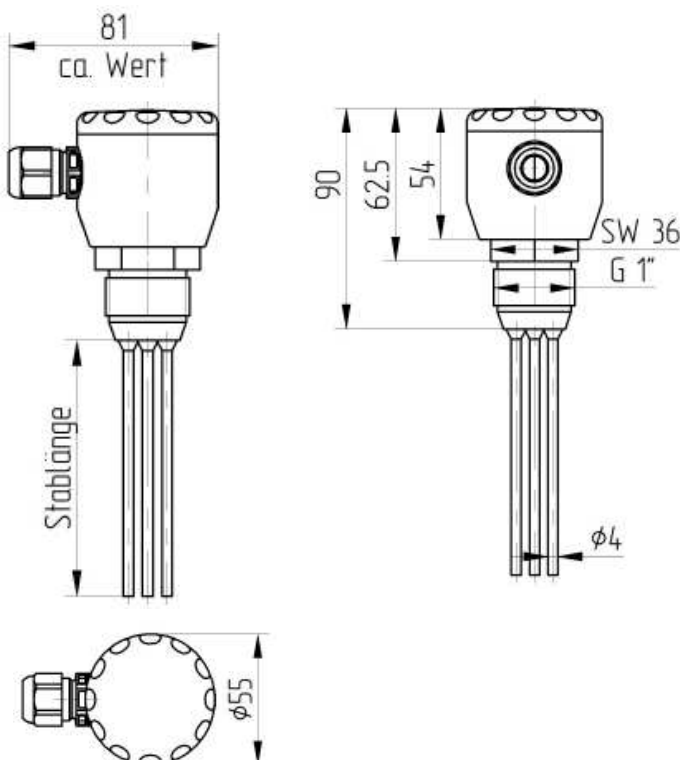
application areas

- fill level detection in cases and pipelines
- dry running condition protection
- empty-/full announcement
- simple, low-cost limit detection possible
- simple level rejection possible
- simple pumping rejection possible

product benefits

- aseptic sealing system
- food-safe materials (EHEDG-compliant)
- rods can be cut in freely
- with PFA coating resistant to media adhesion
- robust stainless steel head with protection class IP69K
- integrated evaluation electronics possible

technical drawing



NST 450-5-...

level measurement

order-code NST 450...

order example: NST 450-5-A100-B200-C300-D800-A

connection heads

- 5 stainless steel head standard with screwing
- 6 stainless steel head standard with M12-plug

length of rod 1. rod

- A2 2 mm length of rod
- AXX length of rod (XX=length in mm)

length of rod 2. rod

- B2 2 mm length of rod
- BXX length of rod (XX=length in mm)

length of rod 3. rod

- C2 2 mm length of rod
- CXX length of rod (XX=length in mm)

length of rod 4. rod

- D2 2 mm length of rod
- DXX length of rod (XX=length in mm)

design of rod

- A 4 mm rod without coating
- B 4 mm rod with teflon coating
- C 8 mm rod without coating
- D 8 mm rod with teflon coating

accessories

welding sleeves

- 99-000195 ZEM 950, welding sleeve, cylinder, for G1" sealing system, diameter 50mm, hygienic process adaptation

M12-connection wires

- 113218 connection cable M12 angled, 5-pin, 5m PUR cable, black
- 110602 connection cable M12 straight, 5-pin, 5m PUR cable, black

Other lengths available on request.

For more accessories, see accessories data sheet.