

level measurement

level rod probe NST 250

features

- level rod probe as 2-rod probe for conductive level measurement
- aseptic measuring point by process connection thread G1/2" for modulare welded sleeve- and process connection system
- EHEDG-conform, food safe material
- definated position of screwing
- rods can be cut

technical specifications

- connection head made of stainless steel 1.4305
- food tangent sensor made of stainless steel 1.4571
- optional food safe coating of PFA P16501 0,2mm
- electrical connection with screwing or optional M12-plug
- protection class IP69K
- temperature range 0...150°C
- max. operating pressure 10 bar
- optional with level module NA1 or NA2

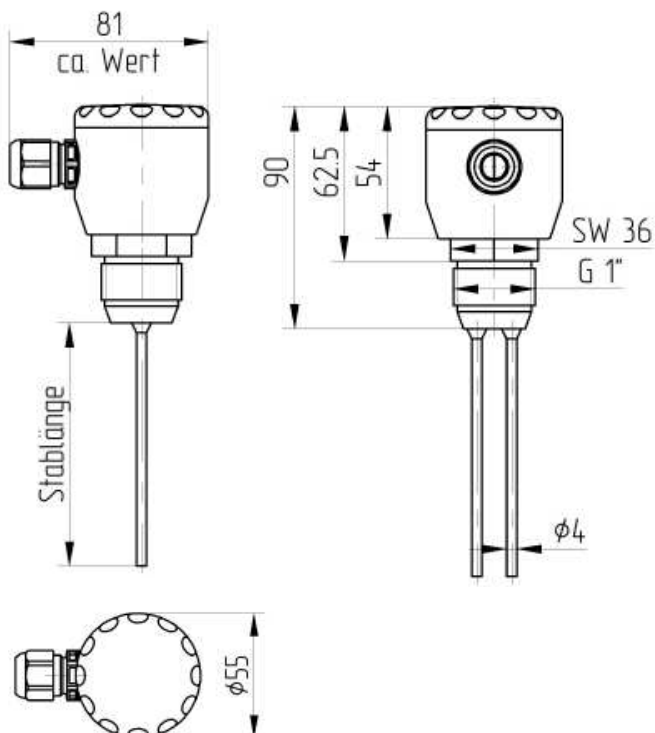
application areas

- fill level detection in cases and pipelines
- dry running condition protection
- empty-/full announcement
- simple, low-cost limit detection
- simple level rejection possible
- simple pumping rejection possible

product benefits

- aseptic sealing system
- food-safe materials (EHEDG-compliant)
- rods can be cut in freely
- with PFA coating resistant to media adhesion
- robust stainless steel head with protection class IP69K
- integrated evaluation electronics possible

technical drawing



NST 250-5-...

level measurement

order-code NST 250...

order example: NST 250-5-A100-B200-A-NA1

connection heads

- 5 stainless steel head standard with screwing
- 6 stainless steel head standard with M12-plug

length of rod 1. rod

- A2 2 mm length of rod
- AXX length of rod (XX=length in mm)

length of rod 2. rod

- B2 2 mm length of rod
- BXX length of rod (XX=length in mm)

design of rod

- A 4mm rod without coating
- B 4mm rod with teflon coating
- C 8mm rod without coating
- D 8mm rod with teflon coating

optional

- NA1 with level evaluate module Type NA1
- NA2 with level evaluate module Type NA2

accessories

welding sleeves

- 99-000195 ZEM 950, welding sleeve, cylinder,Einschweißmuffe, Zylinder, für G1" Dichtsystem, Durchmesser 50mm, hygienegerechte Prozessadaption

M12-connection wires

- 101090 connection cable M12 angled, 4-pole, 5m PVC cable, grey
- 101087 connection cable M12 straight, 4-pole, 5m PVC cable, grey

Other lengths available on request.

For more accessories, see accessories data sheet.